

Concealed wall-mounted mixer centred spout -

35 700 970

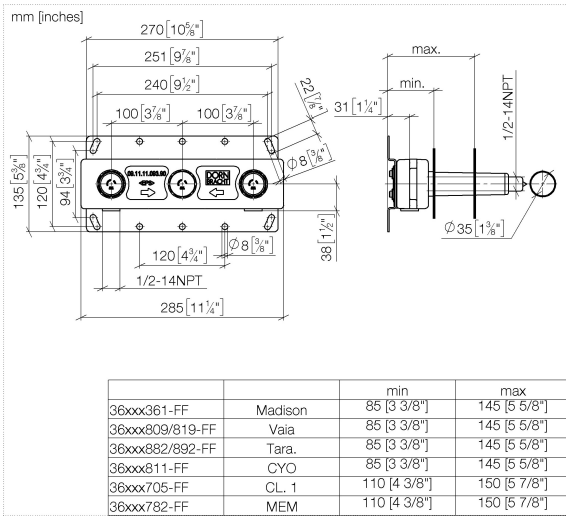


- 3x dust cover
- 2x female thread 1/2" connections
- 1x female thread 1/2" outlet
- 3x sealing plug 1/2"
- gauge 100 mm
- lead-free

NOTE: Important for certain series!
Due to minimum rough-in requirements, a framing
of 2x6 studs is needed.

Concealed wall-mounted mixer centred spout -

35 700 970

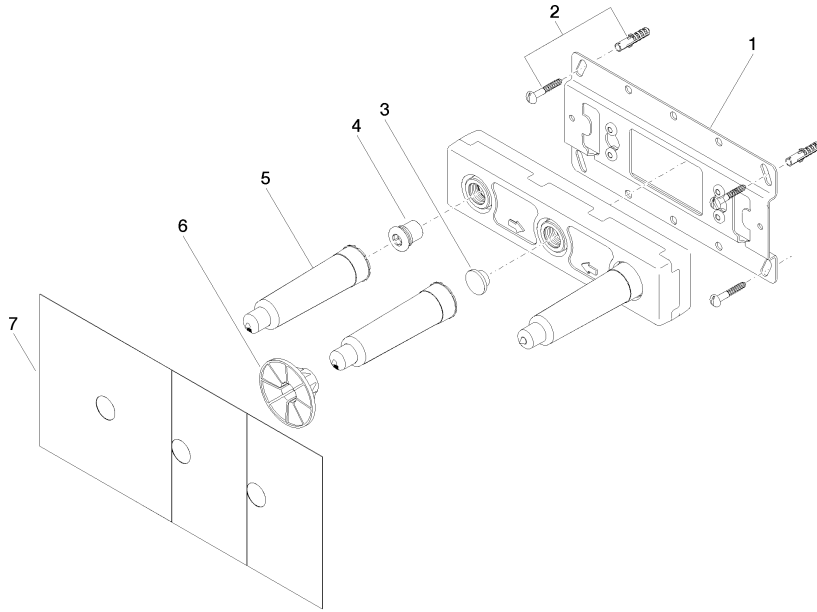


Certificates

IAPMO_6397 (2).

Concealed wall-mounted mixer centred spout -

35 700 970



Spare parts list

| No. | Item Number | Name | Quantity used | Delivery time |
|-----|--------------------|------------|---------------|---------------|
| 1 | 04 17 20 251 00 90 | base | 1 | 60 |
| 2 | 04 30 31 024 01 90 | fixing set | 2 | 2 |
| 3 | 09 31 20 092 90 | plug | 1 | 2 |
| 4 | 04 31 20 037 00 90 | plug | 3 | 2 |
| 5 | 04 21 02 173 01 90 | cap | 2 | 2 |
| 6 | 90 23 01 174 00 90 | sleeve | 1 | 2 |
| 7 | 04 14 03 072 01 90 | gasket kit | 3 | 2 |